

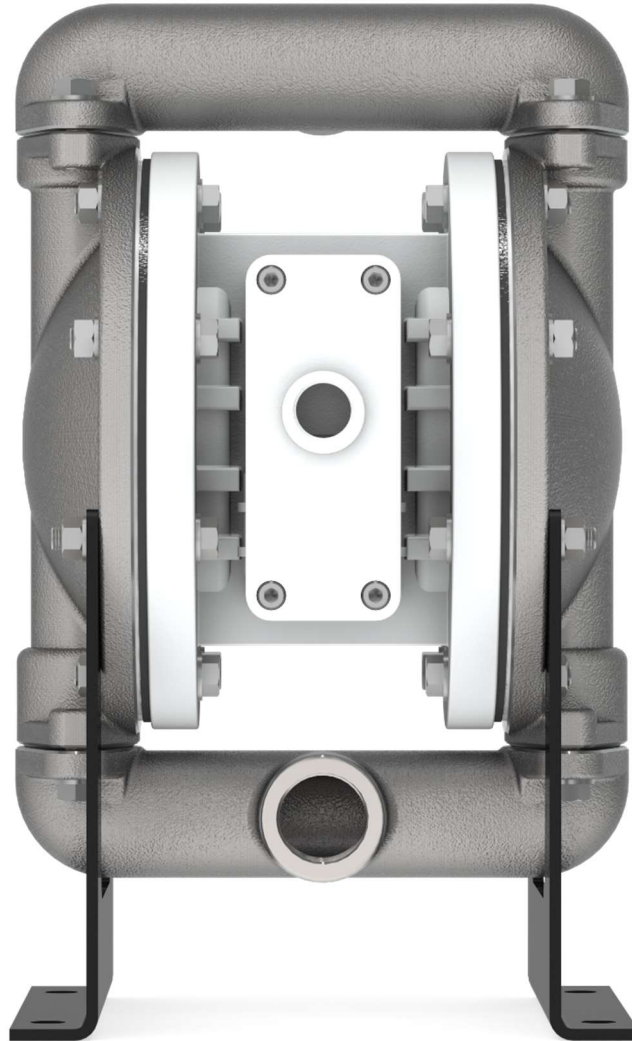


**AIR OPERATED
DOUBLE
DIAPHRAGM
PUMPS**



ISO 9001: 2008
ISO 14001: 2004

pricepumps.co.in



**1" STAINLESS STEEL 316 PUMP
AOD 300 PF SSGP/TEF/TF/S/T**

pricepumps.co.in



AIR OPERATED DOUBLE DIAPHRAGM PUMPS



ISO 9001: 2008
ISO 14001: 2004

pricepumps.co.in

SECTION 1- LEGEND

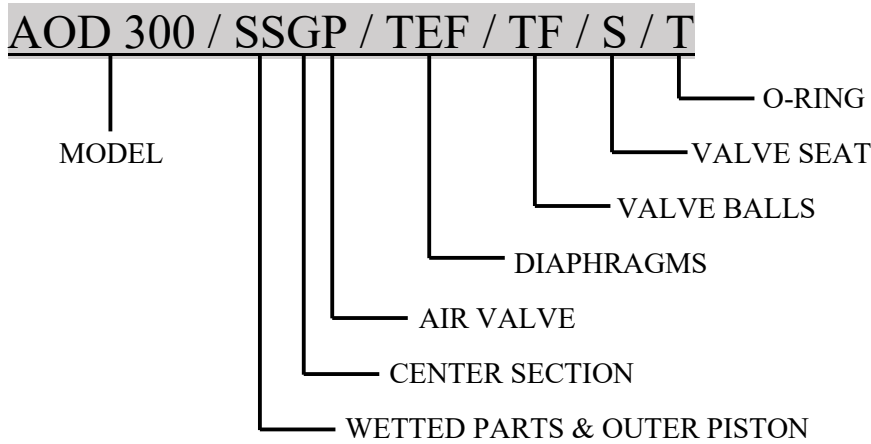
1" STAINLESS STEEL 316 PUMP

AOD 300/SSGP/TEF/TF/S/T

MODEL: AOD 300 PF STAINLESS STEEL 316

25mm (1") Pump

Maximum Flow Rate: 135 Lpm (36 gpm)



MATERIAL CODES

MODEL
AOD 300 = 1" PUMP

AIR VALVE
P = POLYPROPYLENE

VALVE BALL
TF = TEFLON

WETTED PARTS & OUTER PISTON
SS = STAINLESS STEEL/
STAINLESS STEEL

DIAPHRAGMS
TEF = TEFLON

VALVE SEAT
S = STAINLESS STEEL

CENTER SECTION
G = GLASS FILLED
POLYPROPYLENE

VALVE SEAT O-RING
T = TEFLON



SECTION 2 – SPARE PART LIST

1” STAINLESS STEEL 316 PUMP

AOD 300/SSGP/TEF/TF/S/T

SR No.	DISCRIPTION	PART No	QTY
1	LIQUID CHAMBER	30-1001-03	2
2	SUCTION/DISCHARGE MANIFOLD	30-1021-03	2
3	NRV BALL	30-1042-55	4
4	BALL SEAT	30-1075-03	4
5	SEAT O RING	30-3101-55	4
6	HOLDING PLATE/LOCK NUT	30-1112-03	4
7	DIAPHRAGM	30-2001-55	2
8	BACK UP DIAPHRAGM	30-2102-65	2
9	CENTER BLOCK	30-1301-23	1
10	REDUCER	15-1376-21	1
11	CENTER BLOCK O RING	30-3155-56	2
12	MAIN SHAFT	30-1341-03	1
13	PILOT SHAFT	30-1451-03	1
14	PILOT BUSH	30-1471-07	1
15	PILOT SHAFT O RING	15-3176-56	4
16	PILOT BUSH O RING	15-3161-51	4
17	PILOT SHAFT LOCK O RING	40-3181-51	2
18	PILOT BUSH CIRCLIP	15-1496-61	2



AIR OPERATED DOUBLE DIAPHRAGM PUMPS



ISO 9001: 2008
ISO 14001: 2004

pricepumps.co.in

SECTION 2 – SPARE PART LIST (CONTINUED...)

1” STAINLESS STEEL 316 PUMP

AOD 300/SSGP/TEF/TF/S/T

SR No.	DISCRIPTION	PART No	QTY
19	PISTON BLOCK	15-1501-20	1
20	PISTON PVC	15-1521-69	1
21	PISTON O RING BIG	15-3201-51	1
22	PISTON O RING SMALL	15-3221-51	5
23	PISTON RING BIG	15-3241-68	1
24	PISTON RING SMALL	15-3246-68	5
25	PISTON BLOCK CAP	15-1571-20	1
26	PISTON BLOCK CAP O RING	15-3266-51	1
27	PISTON BLOCK COVER	15-1561-20	1
28	PISTON BLOCK GASKET	15-3321-51	1
29	PISTON BLOCK COVER GASKET	15-3331-51	1
30	EXHAUST	15-1366-23	1
31	AIR NIPPLE	15-1371-07	1
32	HOSE NIPPLE	N/A	-
33	FLANGE	30-1384-03	2
34	STUB END	30-1387-03	2
35	STAND	30-1389-61	2
36	5/16" X 1 3/4" HEX BOLTS SS (CHAMBER BOLTS SMALL)	04-6030-03	12
37	5/16" X 2" HEX BOLTS SS (CHAMBER BOLTS BIG)	04-6032-03	4
38	5/16" X 1" HEX BOLTS SS (SUC/DIS)	04-6027-03	8
39	1/4" X 3" ALLEN BOLTS MS (PISTON BLOCK)	04-6003-61	4
40	5/16 MS HEX NUT	04-6305-61	16
41	5/16 X 20 X 2 MM SS WASHER	04-6216-03	40
42	3/8 X 1 1/4" BSW HEX BOLT (LOCK NUT)	04-6016-03	2
43	3/8" WAHSER (LOCK NUT)	04-6206-03	2



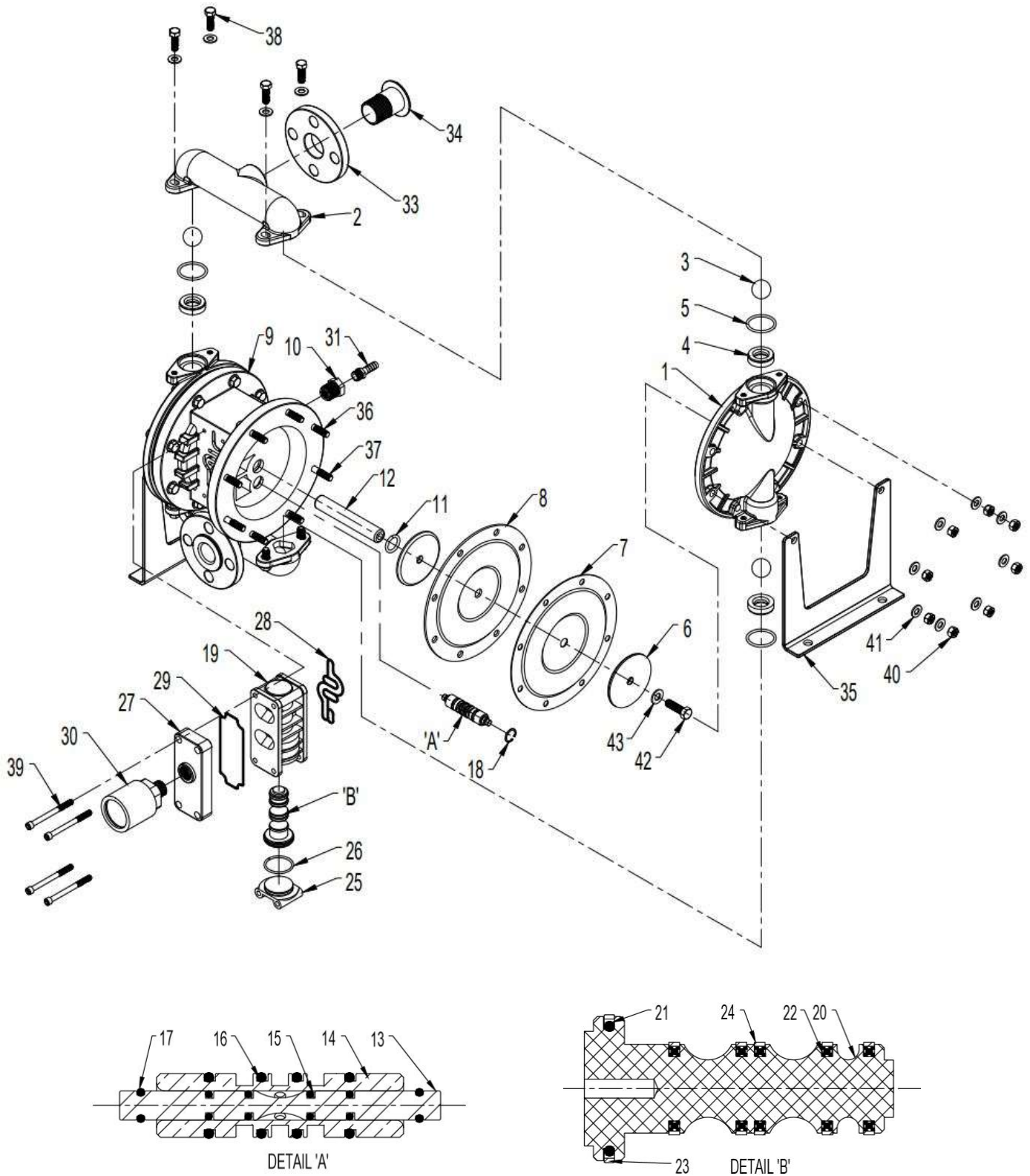
AIR OPERATED DOUBLE DIAPHRAGM PUMPS



ISO 9001: 2008
ISO 14001: 2004

pricepumps.co.in

SECTION 3 – EXPLODED VIEW





AIR OPERATED DOUBLE DIAPHRAGM PUMPS



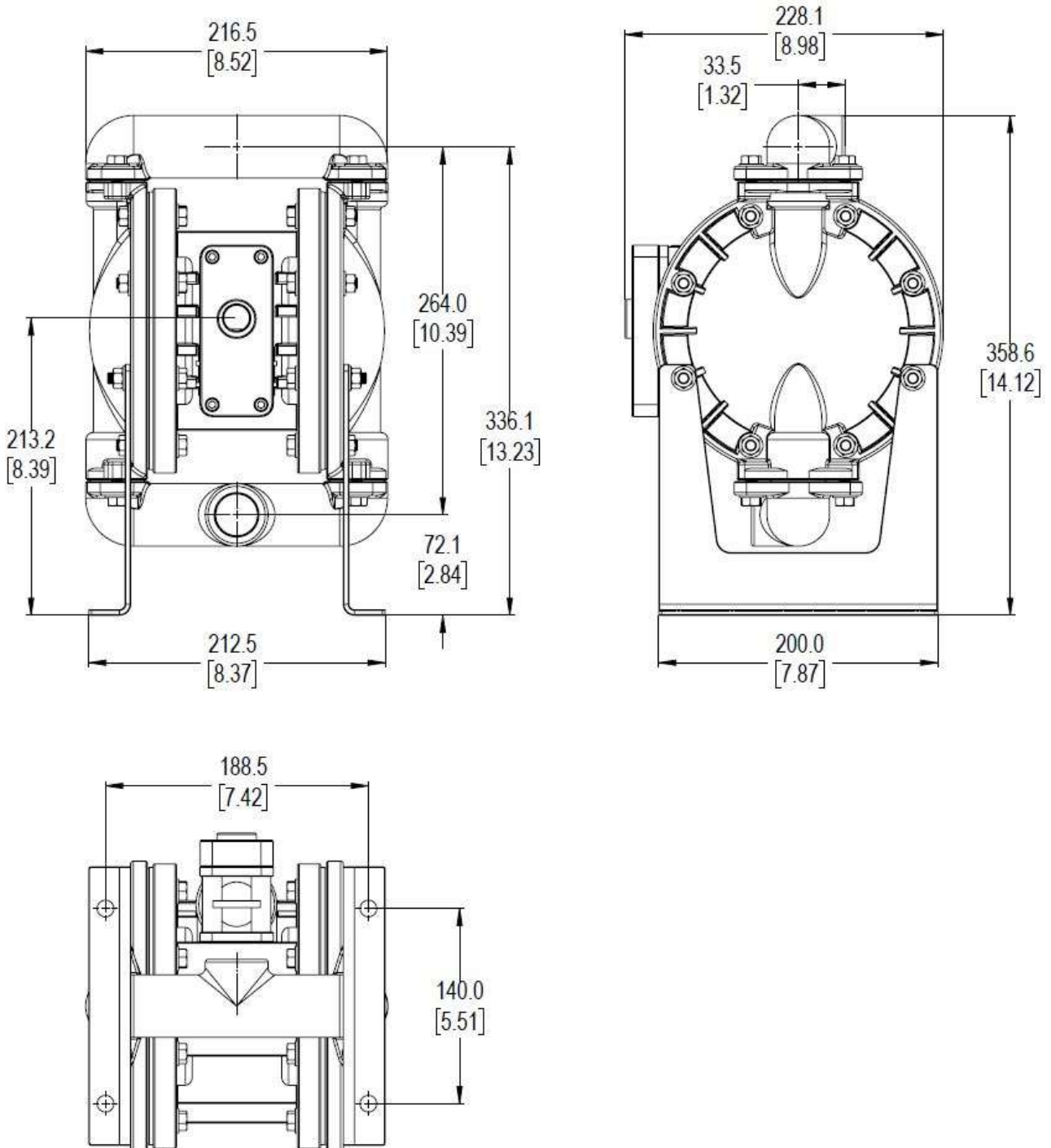
ISO 9001: 2008
ISO 14001: 2004

pricepumps.co.in

SECTION 4 – DIMENSIONAL DRAWING

1" STAINLESS STEEL 316 PUMP

AOD 300/SSGP/TEF/TF/S/T





**AIR OPERATED
DOUBLE
DIAPHRAGM
PUMPS**



ISO 9001: 2008
ISO 14001: 2004

pricepumps.co.in

NOTES: